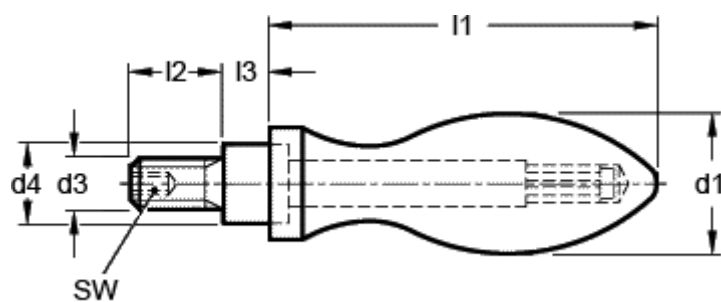


Article number: 20112016

Description: E+G Revolving handle
DIN 98-KT-16-E

Measures



d1	= 16
d3	= M6
d4 h13	= 10
l1 approx.	= 49
l2	= 11
l3	= 5.5
SW	= 3